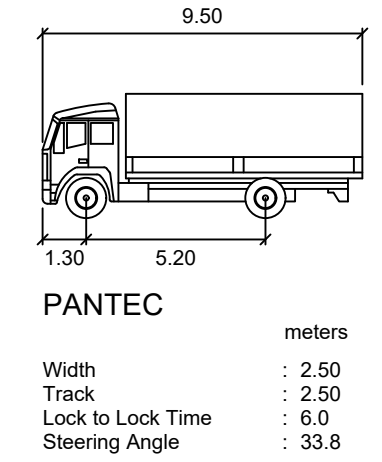
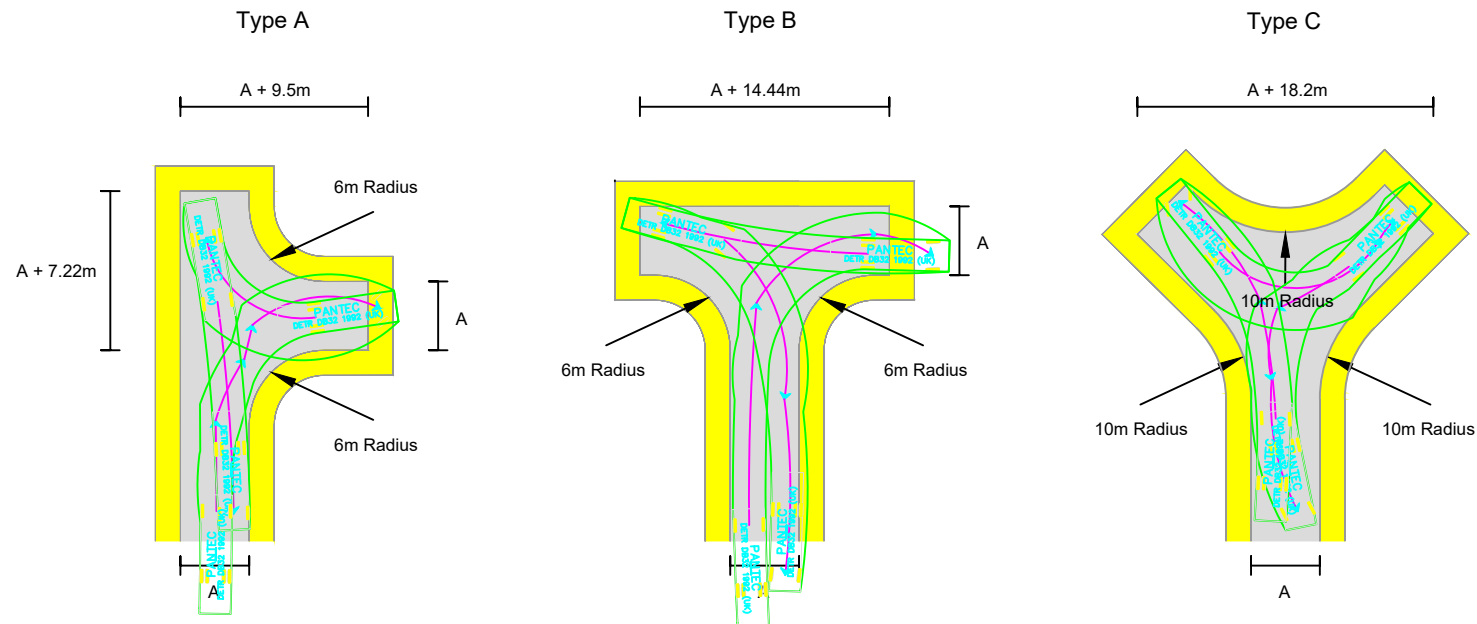
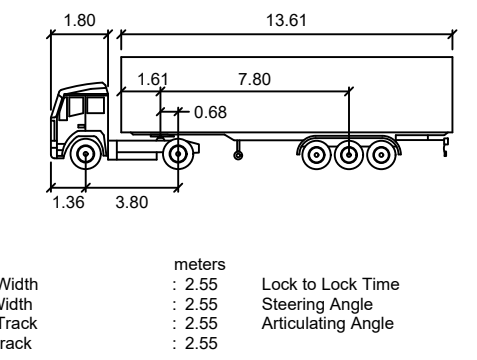
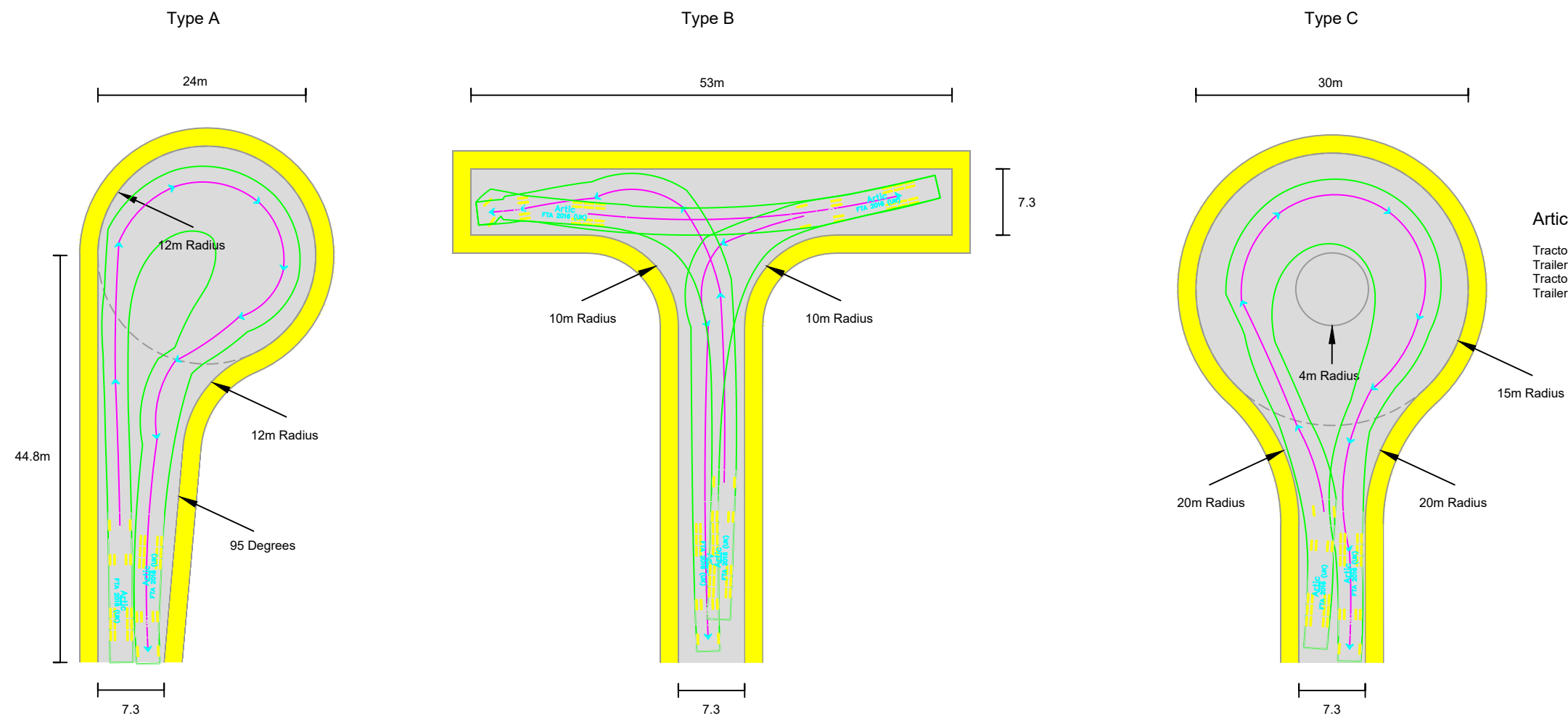


Residential Turning Heads



Industrial Turning Heads



Rev. Amendments		By	Date
<p>ST HELENS BOROUGH COUNCIL</p>		Engineering Services 4th Floor Wesley House Corporation Street St. Helens Merseyside WA10 1HF	
		Place Services Contact Centre: 01744 676789 www.sthelens.gov.uk	
Project SHBC Standard Details			
Title Turning Heads			
Scale	Drawn by:	Designed by:	Checked by:
NTS	J EDEN	J EDEN	S WALK
	Date 25/02/22	Date 25/02/22	Date 25/02/22
Drawing Number: CONSHD/			Rev
Directory: -			A